



Arduino en GPS

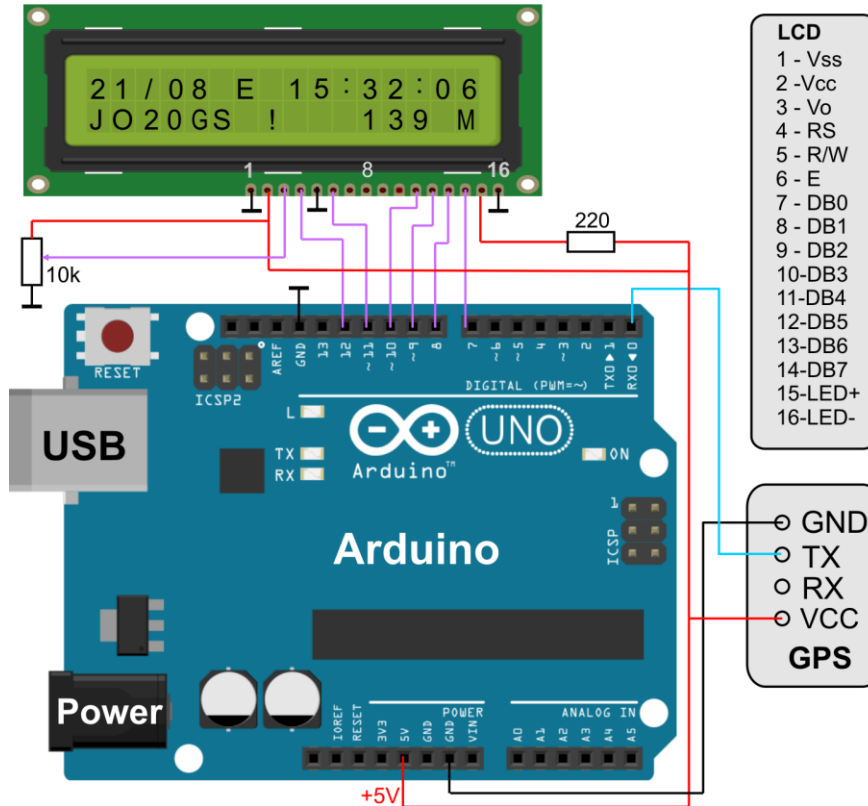
Display van GPS data en
frequentie stabilisatie



GPS data

```
$GPGSV,4,3,13,26,07,278,,29,66,203,44,31,43,303,42,33,29,205,34*70
$GPGSV,4,4,13,39,29,154,47*49
$GPGLL,5046.93922,N,00431.96128,E,115450.00,A,D*6E
$GPRMC,115451.00,A,5046.93926,N,00431.96130,E,0.020,,060715,,,D*7C
$GPVTG,,T,,M,0.020,N,0.036,K,D*21
$GPGGA,115451.00,5046.93926,N,00431.96130,E,2,07,1.16,107.5,M,46.2,M,,0000*53
$GPGSA,A,3,02,29,12,25,31,24,06,,,,,,,,1.82,1.16,1.39*0B
$GPGSV,4,1,13,02,34,066,51,06,11,031,44,10,00,050,,12,39,087,50*7C
$GPGSV,4,2,13,14,24,232,,21,00,179,,24,07,148,45,25,79,061,45*73
$GPGSV,4,3,13,26,07,278,,29,66,203,44,31,43,303,42,33,29,205,34*70
$GPGSV,4,4,13,39,29,154,47*49
$GPGLL,5046.93926,N,00431.96130,E,115451.00,A,D*62
$GPRMC,115452.00,A,5046.93931,N,00431.96130,E,0.010,,060715,,,D*7A
$GPVTG,,T,,M,0.010,N,0.019,K,D*2F
$GPGGA,115452.00,5046.93931,N,00431.96130,E,2,07,1.16,107.3,M,46.2,M,,0000*50
$GPGSA,A,3,02,29,12,25,31,24,06,,,,,,,,1.82,1.16,1.39*0B
```

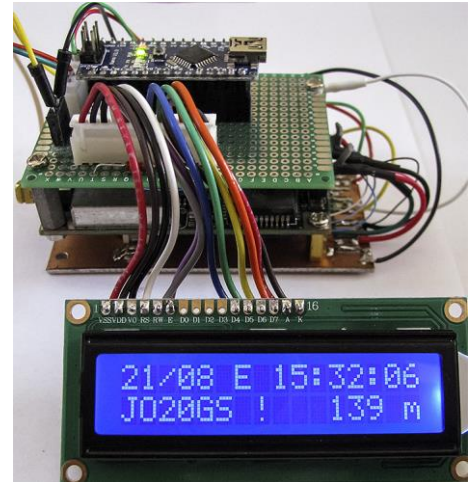
Schema display unit



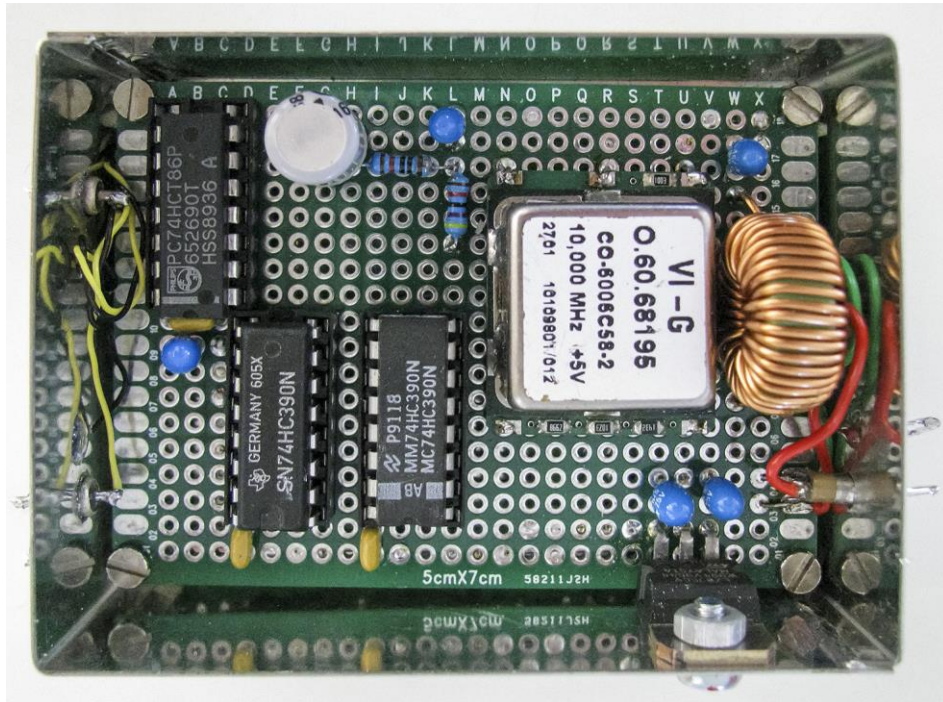
GPS ontvangers



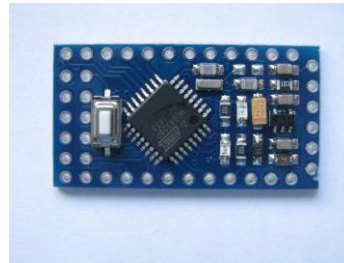
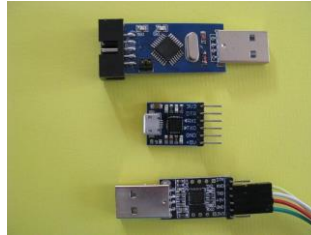
Display unit



Frequentie stabilisatie (2)



Enkele praktische zaken



Alle info en software op <http://on4cdu.net/arduino-en-gps-data/>